



VP3350 ACCESSORIES

CHARGING BASE STAND

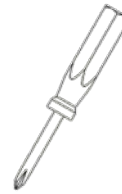
CHARGING BASE STAND PART #: 80178227-001

DIMENSIONS 80.5mm x 56.7mm x 77.5mm

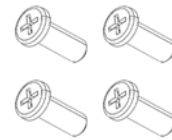
MOUNTING TYPE 2 x M3 Threaded Holes

MOUNTING HOLE PITCH 44mm

INCLUDED IN THE BOX:



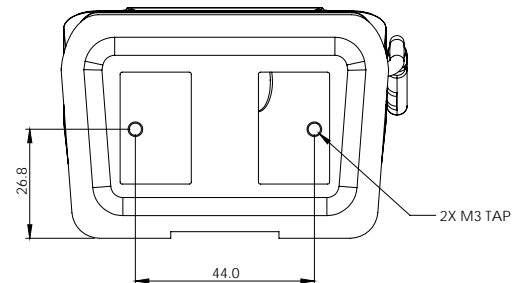
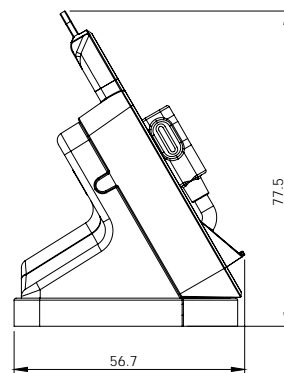
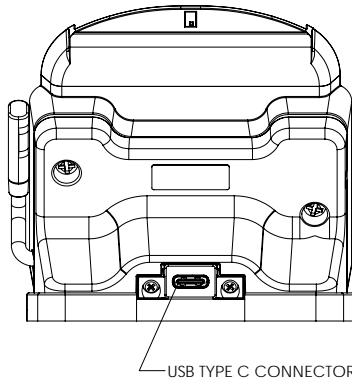
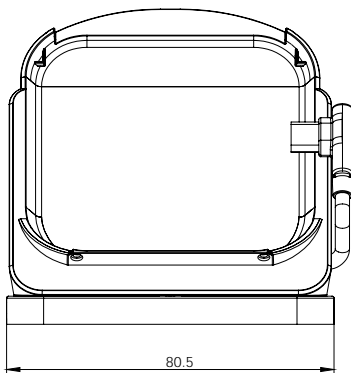
Screwdriver



Screws (4)



Feet (2)



**The VP3350 shown in this image is for illustration purposes only.
USB cable for stand connection to host is not included.*

