

Gaming Reader™

Magnetic Partial Insert Reader

Triple Track Decoding in a Single, Small Footprint

ID TECH's Gaming Reader is a manually-operated, partial insert reader. The Gaming Reader supports single, dual or triple track magnetic heads for reading magnetic media with short fields of encoded data that complies with ISO 7810 and 7811 standards.

Reads Magnetic Stripes

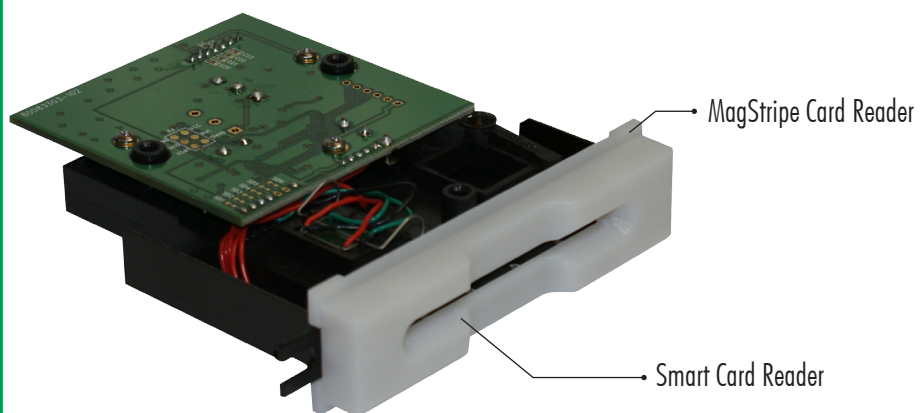
ID TECH's TriMag technology provides excellent read performance of magnetic stripe cards. At speeds of three to eighty inches per second, the Gaming Reader ensures excellent first-time read reliability.

Built to Last

The Gaming Reader is designed to be used in environments that create high levels of Electro-Static Discharge (ESD). Its proprietary design removes ESD from the card surface when the card is inserted. The stainless steel roller design is implemented to avoid card scratching issues that are commonly found in various applications. The bezel, chassis, and read-head are vandal resistant. There is also a large debris slot to allow foreign material to fall through for jam-proof operation.

Features and Benefits:

- Available in Mag only
- Bezel options compatible with industry standard mounting options
- Low Friction & Gimbaling head area reduces card scratching
- Capability of lengthening the insertion depth - two options
- ESD immunity option for applications prone to ESD discharge
- Reads up to three tracks of magnetic stripe data
- Excellent noise immunity and reading of real-world cards
- Landing style contacts with embedded MiniSmart
- Lighted bezel option
- Proven and tested to last a minimum of one million cycles
- Card present switch
- Available in RS232, TTL, and USB interfaces



Gaming Reader™

Specifications IDSB-3XXX-XX-XXXXX-XX

Electrical

Power Requirements:	RS232 35m Max. USB + 5 DC TTL, 100 μ A Max. -standby mode, 3mA Max. - operating mode
Interfaces:	TTL, USB, RS232

Environmental

Operating Temperature:	32°F to 140°F (0°C to 60°C)
Storage Temperature:	-22°F to 140°F (-30°C to 60°C) non-condensing
Vibration & Shock:	Sweep 10Hz to 50Hz/min; 294 m/s ² (30G)

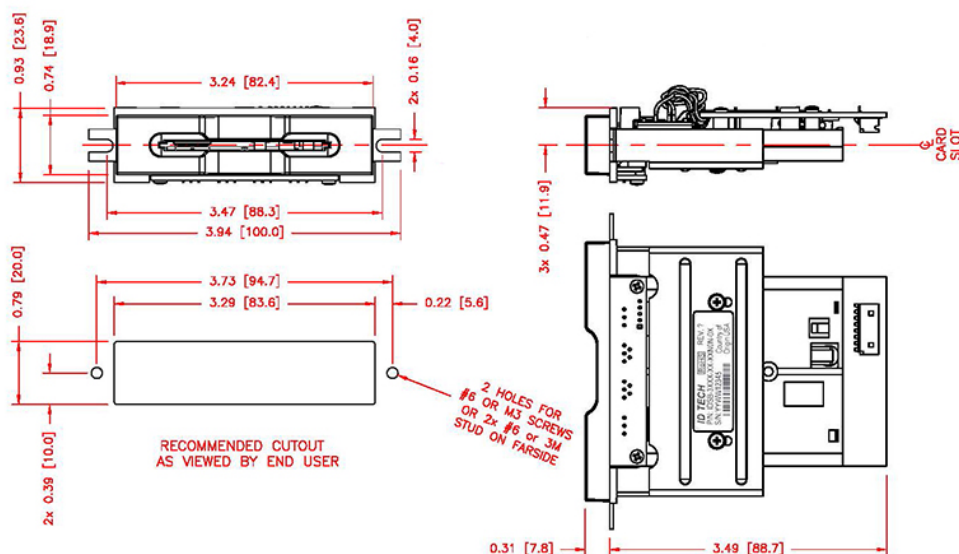
Reliability

Operating Life:	1,000,000 cycles minimum
Warranty:	One year, parts and labor

Mechanical

Dimension (L)x(W)x(H):	0.49 inches (88.66mm) x 2.36 inches (60mm) x 1 inches (25.4mm)
Media Thickness:	0.027 inches (0.686mm) to 0.033 inches (.838mm)
Media Formats:	ISO 7811, other F2F formats
Swipe Speed:	3 to 60 inches per second, bi-directional

Footprint:



United States Sales Office

Corporate Headquarters

10721 Walker Street
Cypress, CA 90630
Phone: (714) 761-6368
Toll Free: (800) 984-1010
Fax: (714) 761-8880
sales@idtechproducts.com

International Sales Offices

Asia

+ 866-3-496-6988 (Taiwan)
asia@idtechproducts.com.tw

Canada

416-519-8529
martinm@idtechproducts.com

South America

+ 55-11-3079-2255
internationalsales@idtechproducts.com

Europe, Africa and the Middle East

+ 011 44 1925 269550
emea@idtechproducts.com

ISO 9001 Certified
ISO 14001 Certified



www.idtechproducts.com