



# Augusta/Augusta S With Quick Chip & M/Chip Fast

Secure EMV Chip Card and Magnetic Stripe Reader

## Virtual Terminals Can Now Support EMV

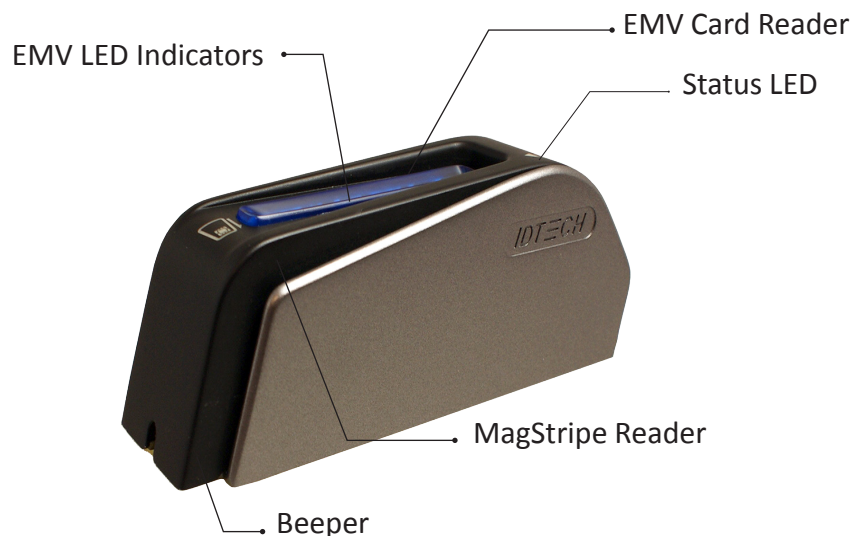
Merchants interacting with legacy keyboard emulation MSR readers and web-based virtual terminals now have the ability to accept EMV payments by using the Augusta with Quick Chip via keyboard emulation. This solution is a patent pending method that provides a plug and play solution as no additional drivers are required for support on existing application or applications being run on virtual terminals.

## Faster Customer EMV Interaction

Augusta with Quick Chip addresses the major complaint of EMV integration, that being the increased duration of the transaction time. When performing a Quick Chip transaction with Augusta, the overall customer wait time drops from about 8 seconds to 2 seconds. This faster transaction time allow for quicker customer throughput along with a less likelihood of a card being left behind by the customer.

## Features and Benefits:

- Familiar Form Factor
- Available in USB-HID & USB-KB
- EMV Level 1 and Level 2 certified
- Quick Chip & M/Fast Chip Support
- ID TECH Common EMV Level 2 kernel
- No additional drivers required
- Provides encrypted MSR or EMV data
- USB Powered
- Reads encoded data that meets ANSI, ISO, and AAMVA standards
- Reads up to three tracks of information
- Support TDES and AES encryption
- DUKPT key management
- Mounting compatibility with MiniMag II and SecuRED
- PCI 4.1 SRED (Augusta S)
- Remote key injection supported



# Augusta/Augusta S

## With Quick Chip & M/Chip Fast

### Specifications IDEM-XXXXX

#### General

Interfaces: MSR: USB-HID, USB-KB  
EMV: USB-HID

#### Electrical

Power Requirements: 5V USB powered

#### Environmental

Operating Temperature: 0°C to 55°C (32°F to 131°F)  
Storage Temperature: -25°C to 65°C (-13°F to 150°F)  
Humidity: Max 95% non-condensing

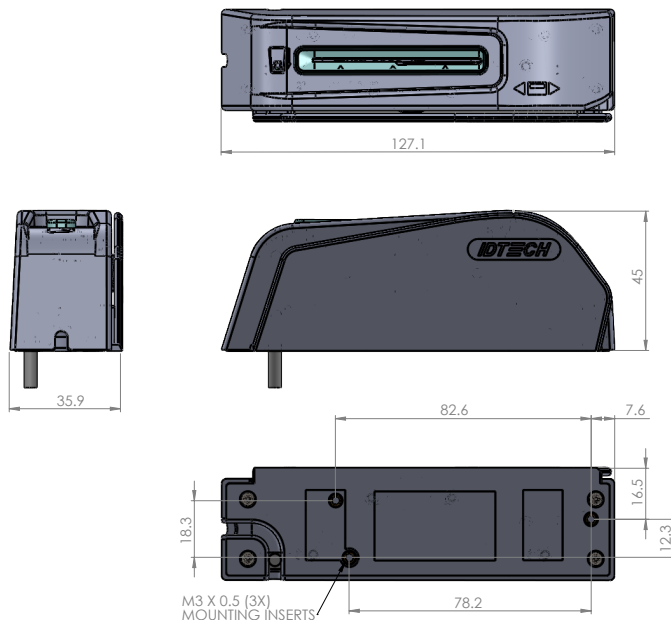
#### Reliability

Operating Life: MSR: 1,000,000 passes  
EMV: 500,000 inserts

#### Mechanical

Dimension (H)x(L)x(W): 1.77 inches (45 mm) X 5 inches (127 mm) X 1.42 inches (36 mm)  
Media Thickness: MSR: .015 inches (.0381 mm) to 0.038 inches (0.9852 mm)  
EMV: 0.0354 inches (0.9 mm)  
Media Format: MSR: ISO 7811, AAMVA  
EMV: ISO 7816  
Swipe Speed: 3 to 60 inches per second, bidirectional  
Weight: w/o base 0.39 lbs (178g)  
w/ base 0.64 lbs (291g)  
Cable Length: 6 ft (1.83m)

Footprint:



#### United States Sales Office

##### Corporate Headquarters

10721 Walker Street  
Cypress, CA 90630  
Phone: (714) 761-6368  
Toll Free: (800) 984-1010  
Fax: (714) 761-8880  
sales@idtechproducts.com

#### International Sales Offices

##### Asia

+866-3-326-5988 (Taiwan)  
asia@idtechproducts.com.tw

##### Canada

416-519-8529  
brents@idtechproducts.com

##### South America

+55-11-3079-2255  
internationalsales@idtechproducts.com

##### Europe, Middle East & Africa

+011-55 11-3079-2255  
emea@idtechproducts.com

#### ISO 9001 Certified

#### ISO 14001 Certified



Value through Innovation  
www.idtechproducts.com