

# BTMag

## Three-Track Secure Bluetooth Magnetic Card Reader

### Expand Your Card Acceptance Opportunities

The BTMag is a secure magnetic stripe reader that communicates with PC's, terminals or mobile devices through their Bluetooth interface. Use your BTMag to read a variety of magnetic media, including credit cards, signature debit cards, gift cards, and loyalty cards.

### Superior MagStripe Reading Performance and Security

The BTMag utilizes ID TECH's proven MagStripe reading technology, providing bi-directional card reading of up to three tracks of information. The BTMag secures the information with TDES/AES encryption using DUKPT key management, protecting the data at the point of swipe.

### Incredible Convenience and Cost Savings

The ID TECH BTMag allows merchants to provide their customers with another acceptable method of payment, with the capability to swipe credit cards, merchants can save money by avoiding costly card-not-present fees. With the ID TECH BTMag and mobile device, merchants can accept credit card payments wherever they go.

### Features and Benefits:

- A magnetic stripe reader that communicate with PC's, terminals or mobile devices using Bluetooth
- Data security TDES/AES encryption with DUKPT Key Management
- Small enough to fit into the palm of your hand
- Silicone rubber provides firm grip support
- Key hole allows for lanyard attachment
- Reads up to three tracks
- Bi-directional card reading
- Red, Blue, and Green LED for status
- Bi-directional communication between reader and mobile devices
- Ergonomic design simplifies card swiping
- Convenient battery charging via industry standard USB cables (requires about 2.2 hours for a full charge)
- SDK available for Apple and Android platforms



**IDTECH**<sup>®</sup>  
Value through Innovation

# BTMag Specifications ID-80125001-00X

## Electrical

Interfaces: Bluetooth

## Environmental

Operating Temperature: 0°C to 55°C (32°F to 131°F) non-condensing  
Storage Temperature: -30°C to 70°C (-22°F to 158°F) non-condensing  
Humidity: Maximum 95% non-condensing, dry storage

## Reliability

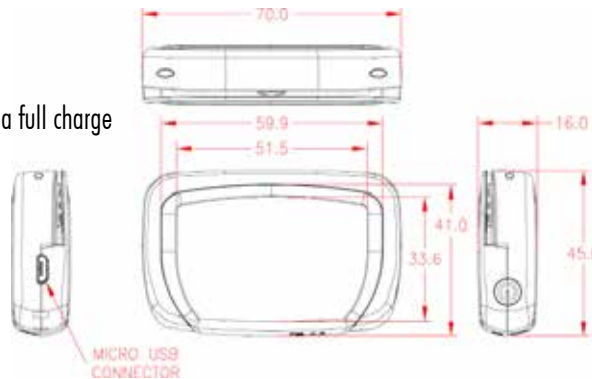
Operating Life: 100,000 cycles minimum  
Warranty: One year, parts and labor

## Mechanical

Media Thickness: 0.025 inches (0.635mm) to 0.035 inches (0.889mm)  
Media Formats: ISO 7811 and AAMVA  
Swipe Speed: 5 to 60 inches per second, bi-directional  
Dimensions(L)x(W)x(H): 70mm x 16mm x 45mm  
Weight: 0.082 lbs. / 1.31 oz.

## Battery

Standby Mode: Up to 8 hours  
Active Mode: Up to 4 hours  
Charging: 2.2 hours required for a full charge



**IDTECH**<sup>®</sup>  
Value through Innovation

### Corporate Headquarters:

10721 Walker Street, Cypress, California 90630  
www.idtechproducts.com  
(714) 761-6368 sales@idtechproducts.com

### International Sales Office Canada & South America:

+450 465 5261 (Canada) robertop@idtechproducts.com

### European Sales Offices:

+49(0) 8851 6159900 (Germany)  
emea@idtechproducts.com

**ISO 9001 Certified**