



UniPay™ 1.5



Mobile Audio Jack MSR and Smart Card Reader

Compact Magnetic Stripe and Smart Card Reader

ID TECH's UniPay 1.5 is one of the latest addition to the audio jack family of mobile card readers. The UniPay 1.5 incorporates a chip card slot for contact EMV card reading and along with reliable magnetic stripe decoding, this device proves to be a versatile compact mobile reader. Its small form factor and audio jack interface is ideal for most tablet and mobile phone applications.

Mobile Form Factor and Audio Jack Interface

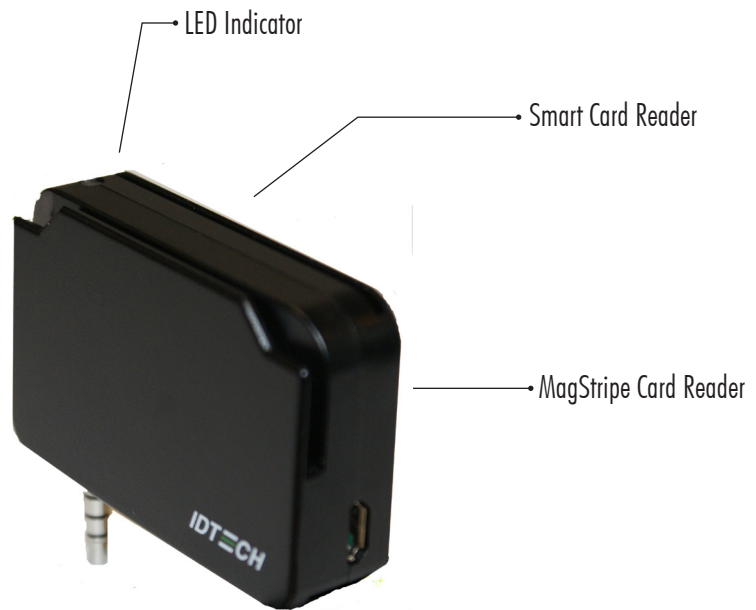
UniPay 1.5 communicates to the host via the audio jack port and is able to be supported on Apple, Android and Windows platforms with the use of the SDK. There is also a USB port to allow for charging or communication to a PC. UniPay 1.5 was designed to minimize power consumption to preserve battery life.

Payment Certifications

The UniPay 1.5 is EMV L1 certified and host ID TECH's common L2 kernel in the hardware. It allows for TDES/AES encryption and DUKPT key management for protection of sensitive cardholder data for a secure transmission of information to the host.

Features and Benefits:

- Audio headphone jack communication for the latest Apple iOS, Android, and Windows platforms
- EMV Level 1 and Level 2 approval
- RoHS 2 and REACH compliance
- TQM Approved
- Low power consumption when reader is in standby mode
- Compact and ergonomic design to integrate with a variety of mobile devices
- Encrypted MSR and chip card reader with DUKPT key management
- Micro-USB port for charging and PC communication
- Side or bottom charging options
- 1 year manufacturer warranty



UniPay™ 1.5

Specifications IDMR-AB83133/IDMR-AB83133S

Electrical

Interfaces: Audio headphone jack/USB-HID

Environmental

Operating Temperature: 32°F to 131°F (0°C to 55°C)
Storage Temperature: -22°F to 158°F (-30°C to 70°C)
Humidity: Maximum 95% non-condensing

Reliability

Operating Life: MagStripe Reader: 300,000 card swipes minimum
Smart Card Reader: 100,000 card cycles minimum

Warranty: One year, parts and labor

Approvals: EMV Level 1 and EMV Level 2, ROHS, FCC/CE

Mechanical

Dimension (L)x(W)x(H): 2.36 inches (60 mm) x .63 inches (16 mm) x 2.25 inches (57.2 mm)

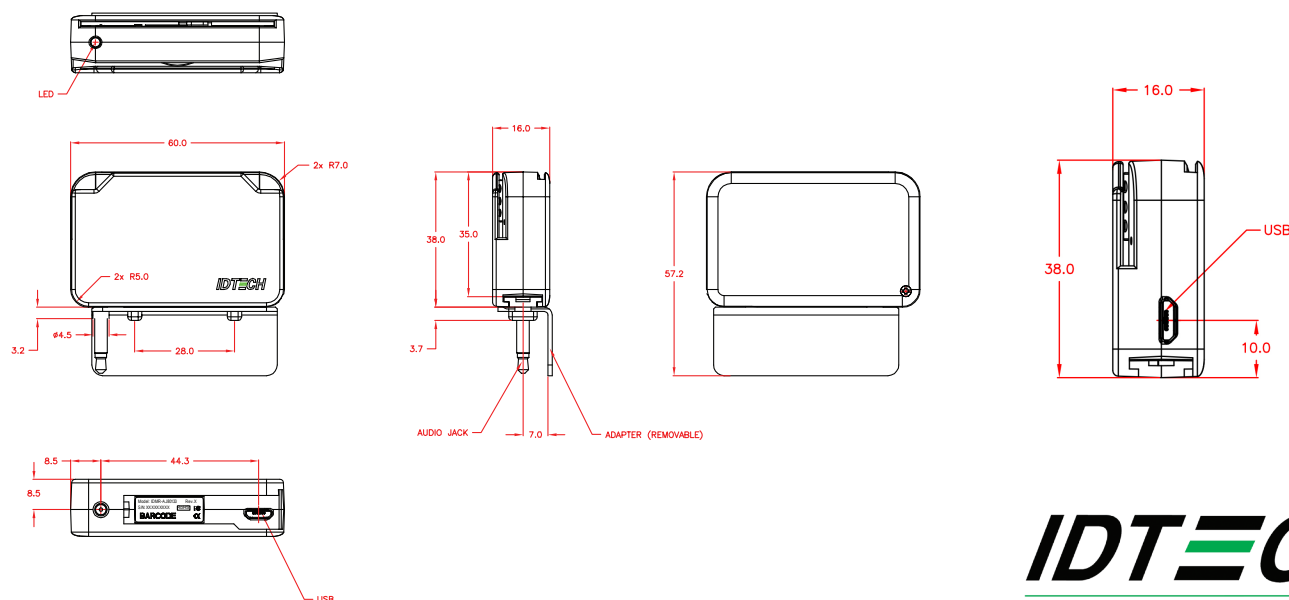
Media Thickness: 0.027 inches (0.6858mm) minimum

0.035 inches (0.8382mm) maximum

Card Seated Switch: ICC fully-seated sensor

Color: Black

Footprint:



United States Sales Office

Corporate Headquarters

10721 Walker Street
Cypress, CA 90630
Phone: (714) 761-6368
Toll Free: (800) 984-1010
Fax: (714) 761-8880
sales@idtechproducts.com

International Sales Offices

Asia

+866-3-496-6988 (Taiwan)
asia@idtechproducts.com.tw

Canada

+416-519-8529
martinm@idtechproducts.com

South America

+55-11-3079-2255
internationalsales@idtechproducts.com

Europe

+011 44 1925 269550
emea@idtechproducts.com

ISO 9001 Certified
ISO 14001 Certified



Value through Innovation

www.idtechproducts.com