

VISA

READY

# UniMag II™

*Two-Track Secure Credit Card Reader for Mobile Devices*



## Card Swiping on your Mobile Device

The ID TECH UniMag II is a magnetic stripe reader that communicates with mobile devices via the headphone jack. Use your mobile device to read a variety of magnetic stripes, including credit cards, signature debit cards, gift cards, and loyalty cards.

## Secure MagStripe and Visa Ready Solution

The UniMag II utilizes ID TECH's proven MagStripe reading technology, providing bidirectional card reading of up to two tracks of information. When reading card data the UniMag II encrypts the information before it enters the mobile device, providing protection of sensitive data. The UniMag II is also Visa Ready meeting the Visa Ready Program requirements for a reliable, convenient, and secure hardware solution.

## Incredible Convenience and Cost Savings

The ID TECH UniMag II allows merchants to provide their customers with another acceptable method of payment, and with the capability to swipe credit cards, merchants can save money by avoiding costly card-not-present fees. With the ID TECH UniMag II, merchants can accept credit card payments wherever they go.

## Features and Benefits:

- Approved solution of the Visa Ready Program
- Plugs into audio headphone jack - no cables or batteries
- Supports TDES and AES encryption using DUKPT key management
- Reads up to two tracks of card data
- Superior MagStripe reading performance
- Bidirectional card reading
- Low battery consumption of mobile devices
- No external power supply required
- Bidirectional communication between the reader and mobile device
- Universal clip allows for stabilization to provide better card reading
- Extended phone jack enables compatibility with various phone cases
- SDK available for Apple, Android, and Blackberry platforms



**IDTECH**   
Value through Innovation

# UniMag II™

## Specifications ID-80110008-001

### Electrical

Interfaces: Audio headphone jack

### Environmental

Operating Temperature: 32°F to 131°F (0°C to 55°C) non-condensing  
Storage Temperature: -22°F to 158°F (-30°C to 70°C) non-condensing  
Humidity: Maximum 95% non-condensing, dry storage

### Reliability

Operating Life: 100,000 card swipes minimum  
Warranty: One year, parts and labor

### Mechanical

Dimension (L)x(W)x(H): 1.18 inches (30 mm) x 0.43 inches (11 mm) x 1.77 inches (45 mm)  
Media Thickness: 0.025 inches (0.635 mm) to 0.035 inches (0.889 mm)  
Media Formats: ISO 7811 and AAMVA  
Swipe Speed: 5 to 60 inches per second, bidirectional  
Weight: 0.512 oz.

Please visit [www.idtechproducts.com](http://www.idtechproducts.com) for the most up-to-date lists of hardware and software compatibility.

### United States Sales Office

#### Corporate Headquarters

10721 Walker Street  
Cypress, CA 90630  
Phone: (714) 761-6368  
Toll Free: (800) 984-1010  
Fax: (714) 761-8880  
[sales@idtechproducts.com](mailto:sales@idtechproducts.com)

### International Sales Offices

#### Asia

+866-3-496-6988 (Taiwan)  
[asia@idtechproducts.com.tw](mailto:asia@idtechproducts.com.tw)

#### Canada

+450-465-5261  
[robertop@idtechproducts.com](mailto:robertop@idtechproducts.com)

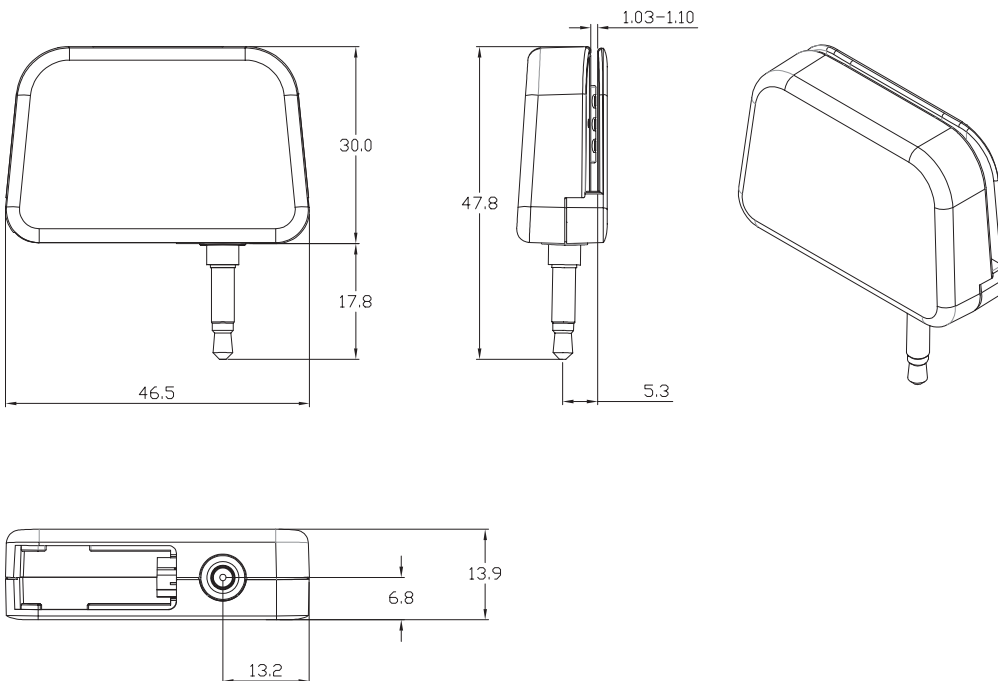
#### South America

+55-11-3079-2255  
[internationalsales@idtechproducts.com](mailto:internationalsales@idtechproducts.com)

#### Europe

Germany & United Kingdom  
[emea@idtechproducts.com](mailto:emea@idtechproducts.com)

### ISO 9001 Certified



Value through Innovation

[www.idtechproducts.com](http://www.idtechproducts.com)